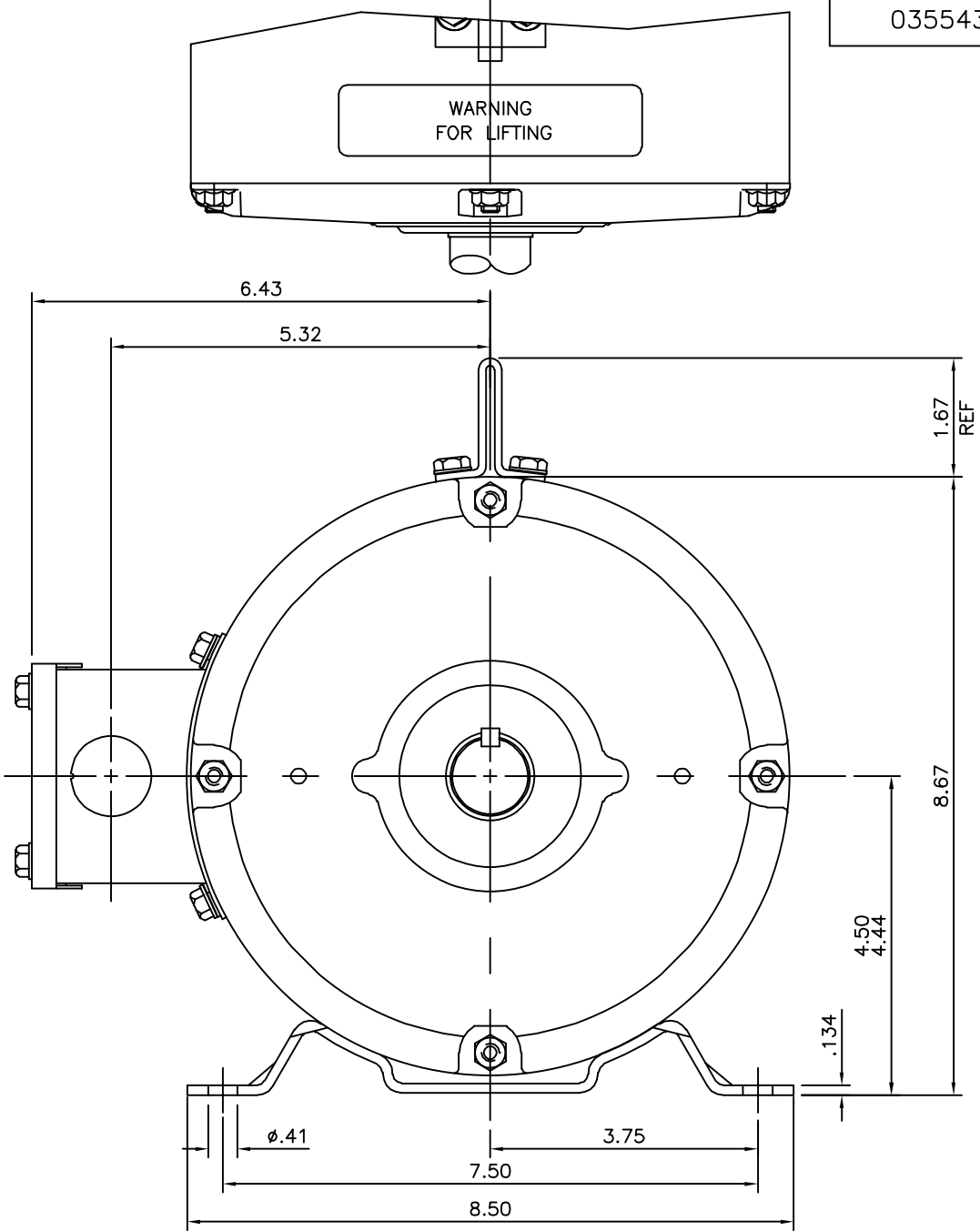
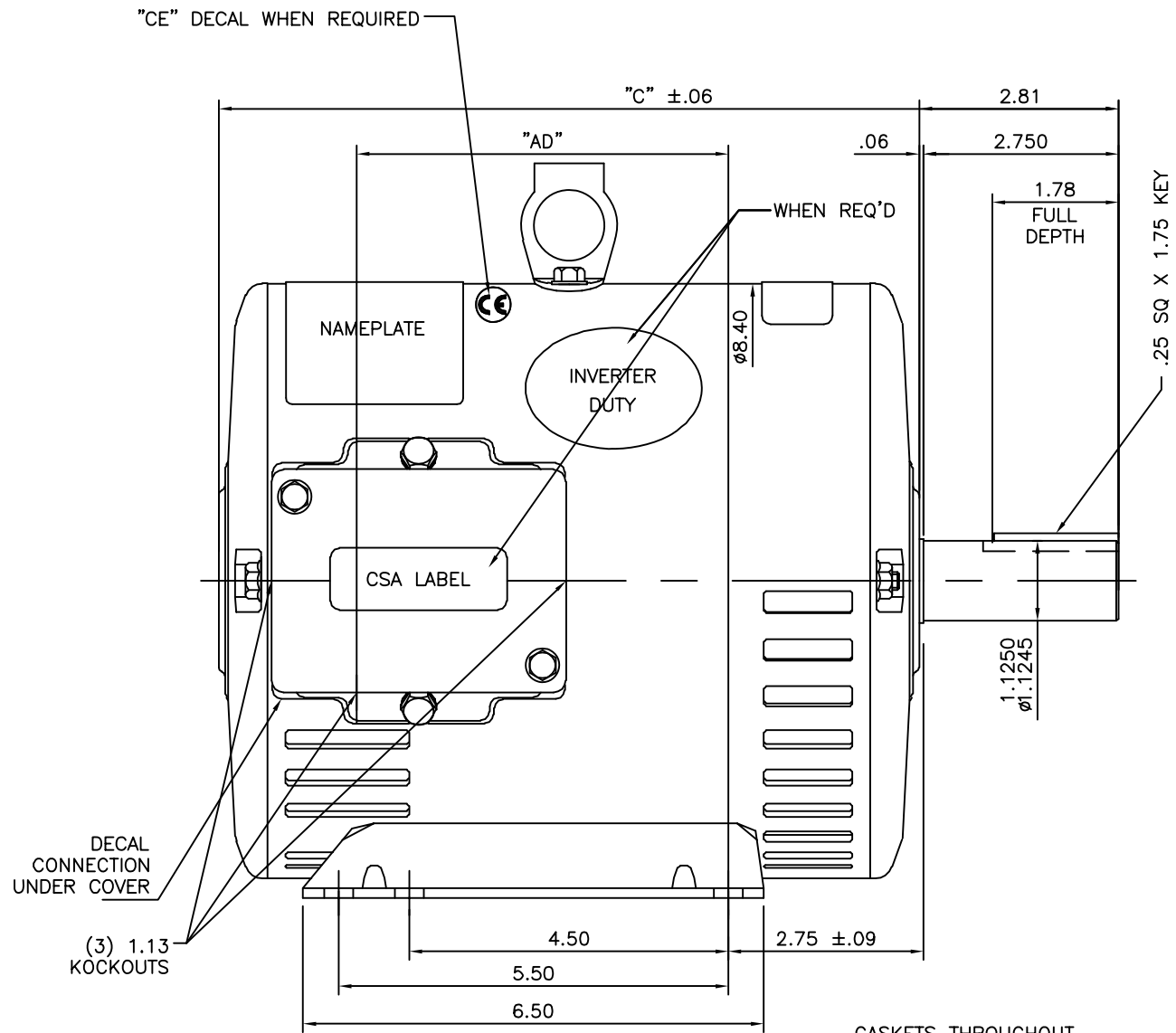


035543



GASKETS THROUGHOUT

DASH NO.	"C"	"AD"
850	12.69	5.25
900	13.19	5.75
950	13.69	6.25
1000	14.19	6.75
1050	14.69	7.25
1100	15.19	7.75
1150	15.69	8.25
1200	16.19	8.75

TOLERANCES UNLESS SPECIFIED		DEC.		INCHES	
		.X		±.1	
		.XX		±.03	
		.XXX		±.005	
01	WHEN REQ'D NOTE ADDED	PVR	06/16/15	GR	.XXXX ±.0005
NO.	REVISION	BY	DATE	CHK	ANG
				RFP	±1/2'

MARATHON ELECTRIC

TITLE: OUTLINE - 180T FRAME
DRIP PROOF - RIGID

DRAWN: YS 03/14/08
CHK: YS 08/08/07
APPD:
SCALE: 1=2
REF: 035534
FMF
PREV

THIS DRAWING IN DESIGN AND DETAIL IS OUR PROPERTY AND MUST NOT BE USED EXCEPT IN CONNECTION WITH OUR WORK ALL RIGHTS OF DESIGN AND INVENTION ARE RESERVED THIS IS AN ELECTRONICALLY GENERATED DOCUMENT - DO NOT SCALE THIS PRINT

CAD FILE: 035543
SIZE: B
DRAWING NO.: 035543
REV.: 01